

Binding Post Type 045



These high quality binding posts feature very low resistance and great durability. They are designed for use in test facilities, laboratory facilities and in bushings for transformers and chokes.

- ◆ Rugged construction
- ◆ Cost effective
- ◆ Low resistance

Technical Data

Design current: 100 Amp

Material:

- metal parts: brass
- insulated parts: polycarbonate

Temperature stability: 115°C

Working voltage: 1000 V

Insulation co-ordination: 4kV / 1

Design impact potential: 4 kV

Testing voltage: 2200 V

Conducting wall thickness: 4mm

Creep distance (SK max.): 7.8mm

Insulation resistance: > 10¹⁰ ohm

Borehole (for safety plug): 4mm

Starting torque: 6Nm

Industry Usage

Radio, Sound, Electronic test equipment, Laboratory facilities

ENERCORP instruments ltd

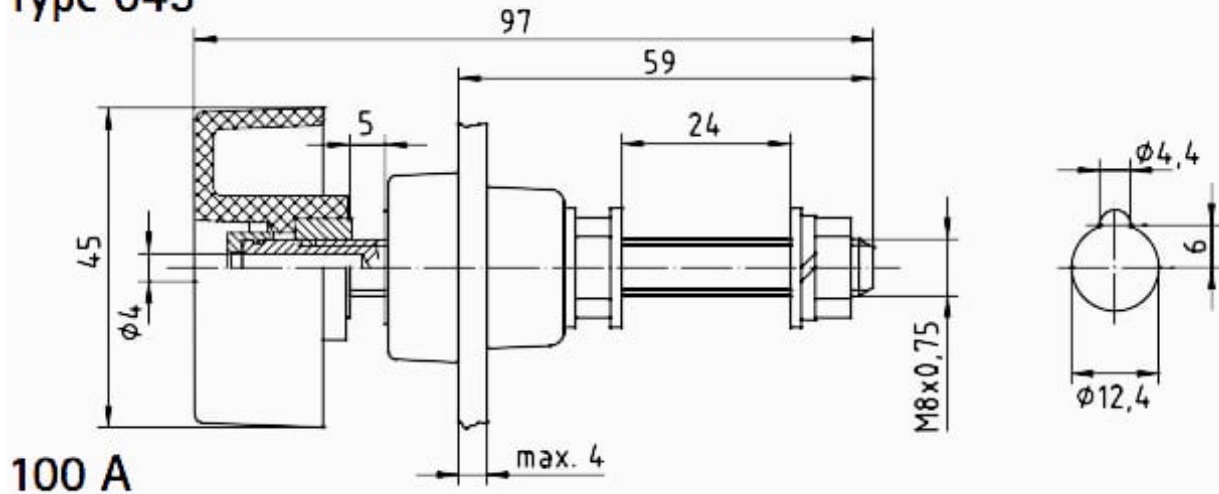
170 Wilkinson Road, Unit 13, Brampton, ON, L6T 4Z5 Canada

Tel: 416-231-5335, Toll free: 1-800-363-7267

enercorp.com

All measurements in mm

Type 045



Ordering Data

8770450100: black
8770450200: red
8770450300: blue
8770450400: yellow
8770450500: green
8770450600: purple
8770450900: yellow-green

ENERCOP instruments ltd

170 Wilkinson Road, Unit 13, Brampton, ON, L6T 4Z5 Canada

Tel: 416-231-5335, Toll free: 1-800-363-7267

enercorp.com