

# Binding Post Type 043



These high quality binding posts feature very low resistance and great durability. They are designed for use in test facilities, laboratory facilities and in bushings for transformers and chokes.

- ◆ Rugged construction
- ◆ Cost effective
- ◆ Low resistance

## Technical Data

**Design current:** 63 Amp

**Material:**

- metal parts: brass
- insulated parts: polycarbonate

**Temperature stability:** 115°C

**Working voltage:** 1000 V

**Insulation co-ordination:** 4kV / 1

**Design impact potential:** 4 kV

**Testing voltage:** 2200 V

**Conducting wall thickness:** 3mm

**Creep distance (SK max.):** 6.3mm

**Insulation resistance:** > 10<sup>10</sup> ohm

**Borehole (for safety plug):** 4mm

**Starting torque:** 3Nm

## Industry Usage

Radio, Sound, Electronic test equipment, Laboratory facilities

**ENERCORP** instruments ltd

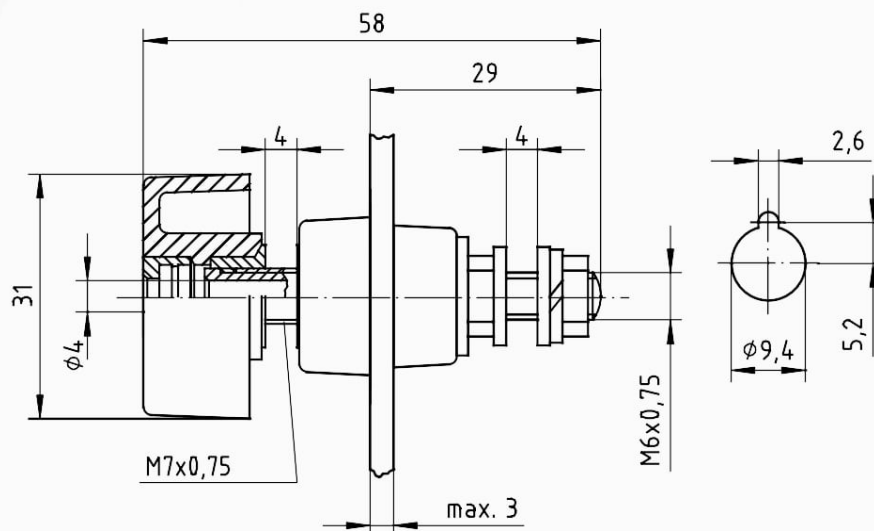
170 Wilkinson Road, Unit 13, Brampton, ON, L6T 4Z5 Canada

Tel: 416-231-5335, Toll free: 1-800-363-7267

[enercorp.com](http://enercorp.com)

All measurements in mm

## Type 043



63 A

### Ordering Data

8770430100: black  
8770430200: red  
8770430300: blue  
8770430400: yellow  
8770430500: green  
8770430600: purple  
8770430900: yellow-green

**ENERCOP** instruments ltd

170 Wilkinson Road, Unit 13, Brampton, ON, L6T 4Z5 Canada

Tel: 416-231-5335, Toll free: 1-800-363-7267

[enercorp.com](http://enercorp.com)