

AC Current Operated Switches: 250 Series



The Sentry 250 series AC current switches monitors up to 250A and provides an AC/DC switch. This switch is either a fixed set point or an adjustable set point.

- ◆ Smart LED
- ◆ High reliability
- ◆ Easy installation

Technical Data

Output: magnetically isolated solid state switch (see output table)

Switch rating: not polarity sensitive

- N.O. versions: 0.3A at 135 VAC or VDC
- N.C. versions: 0.2A at 135 VAC or VDC

Off state leakage: none

Response time: <120 milliseconds

Set point range: see ordering data

Hysteresis: 5% of set point

Max. current:	Continuous	6sec	1sec
• Sentry 225/ SC225:	250A	500A	1000A
• Other models:	150A	400A	1000A

Power supply: none, self powered

Frequency range: 6...100Hz

Isolation voltage: UL listed to 1270VAC, tested to 5kV

Sensing aperture:

- Solid core: 0.75" dia.
- Split core: 0.85" x 0.85"

Case: UL 94V-0 flammability rated thermoplastic

Environmental: -50...65°C, 0...95% RH, non-condensing

Approvals: UL, ULC, CE

ENERCORP instruments ltd

170 Wilkinson Road, Unit 13, Brampton, ON, L6T 4Z5 Canada

Tel: 416-231-5335, Toll free: 1-800-363-7267

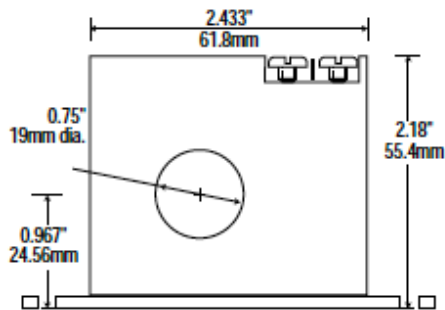
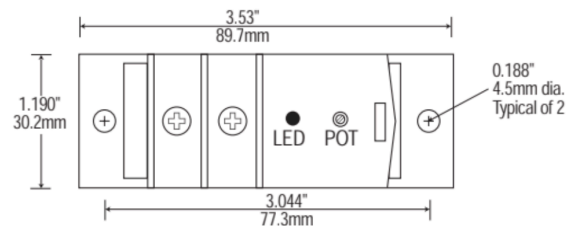
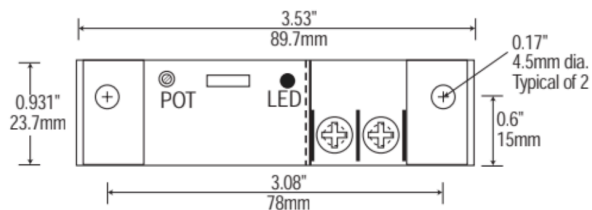
enercorp.com

Industry Usage

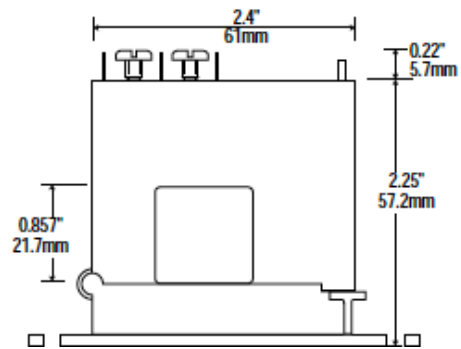
HVAC, Building automation, Energy management

Output table

Condition	Smart LED	N.O. switch	N.C. switch
No current flowing	Off	Open	Closed
Current below set point	Slow flash (2sec)	Open	Closed
Current above set point	Fast flash (0.5sec)	Closed	Open



Solid core



Split core

Ordering data:				
Item number	Set point range	N.O./ N.C.	LED	Case
Sentry 225	Fixed 0.75A	N.O.	No	Solid core
Sentry 250	1.0...150A	N.O.	Yes	Solid core
Sentry 250-NC	1.0...150A	N.C.	Yes	Solid core
SC225	1.25...250A	N.O.	No	Split core
SC250	1.75...150A	N.O.	Yes	Split core
SC250-NC	1.75...150A	N.C.	Yes	Split core