

TXR420: Digital Temperature Transmitter



The TXR420 is a digital temperature transmitter and can be PC programmed to be used with a Pt100 RTD at various temperature ranges. This device is protected against reverse polarity and has sensor fault detection built in.

- ◆ High accuracy
- ◆ Unaffected by EMI
- ◆ PC programmable

Technical Data

Power supply: 24 VDC (10...35 VDC)

Output signal: 4...20mA or 20...4mA

Connection type: 2-wire

Sensor type: Pt100 RTD

Accuracy: 0.1%

Min. Input current: <3.5mA

Current limit: <23mA

Switch on delay: 4 sec

Response time : 2 sec

Influence of power supply: +/- 0.01%/V

Max. load: ($V_{ref} - 10 \text{ V}$)/ 0.022 Amp

Linearity error: <0.1%

Temperature drift: 0.1%/°C

Damping (programmable): 0...60 sec

Electrical connection: Plug connection as per DIN EN 175301-803-A

Ambient temperature: -40...85°C

Protection class: IP 66/ IP 00

Climatic class: Cl. C, EN 60654-1

EMC immunity: Acc. to EN 61326-1

Vibration protection: 4g/ 2...150Hz

Approval: CE

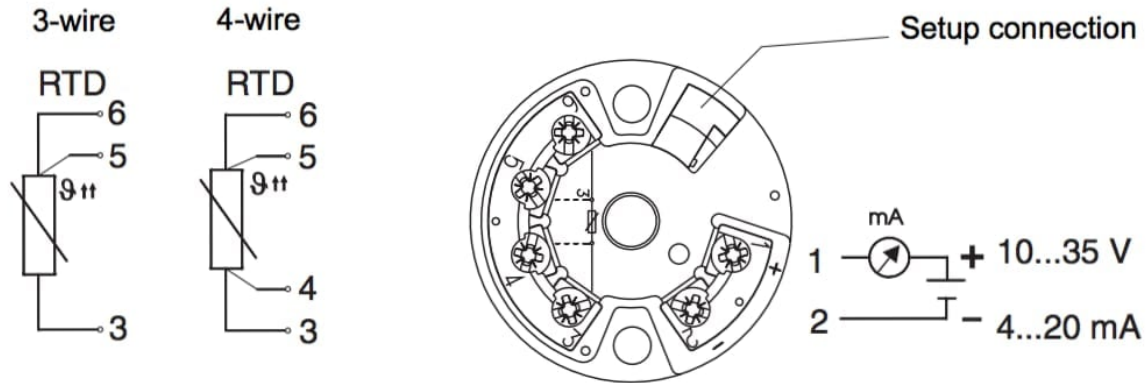
ENERCORP instruments ltd

25 Shorncliffe Road, Toronto, ON, M9B3S4, Canada
Tel: 416-231-5335, Toll free: 1-800-363-7267

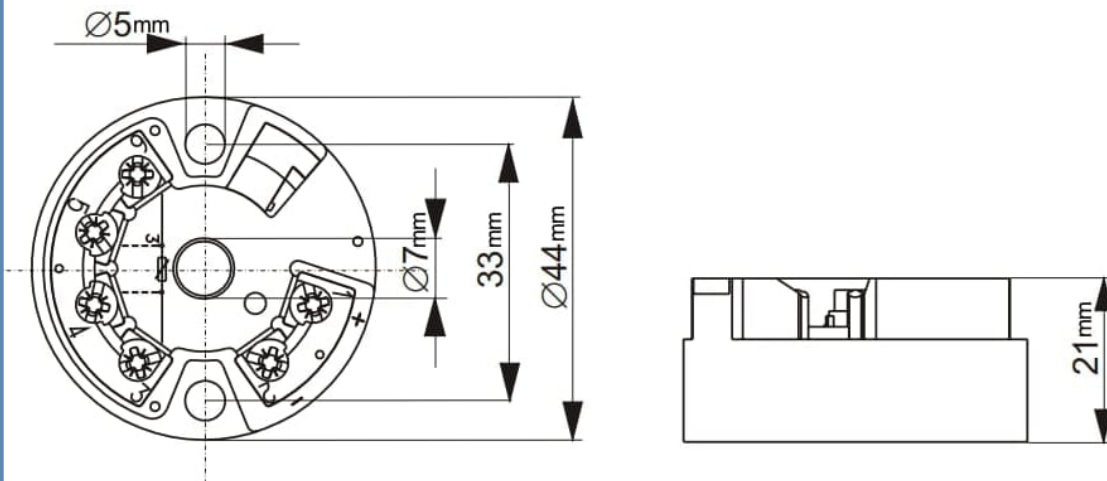
Industry Usage

Waste management, HVAC, Energy management, Food processing, Refineries, Pharmaceutical

Wiring Diagram



Dimensions



ENERCORP instruments ltd

25 Shorncliffe Road, Toronto, ON, M9B3S4, Canada
Tel: 416-231-5335, Toll free: 1-800-363-7267

RTD Input Table			
Type	Min. Temperature	Max. Temperature	Min. Span
Pt 100	-200°C	850°C	10°C

Accessories:
 TX420-cable-usb: includes a PC software package, a communication adapter and the serial connection cable.

Ordering Data
 TXR420/ (programming/ temp range) - (output) - (input)
 0 = no programming 4 = 4...20mA 3W = 3-wire
 20 = 20...4mA 4W = 4-wire

ie. TXR420/0-0-0: temperature transmitter with no calibration

ie. TXR420/-20C300C-4-3W: temperature transmitter calibrated for a Pt100 at a temp range of -20°C...300°C with a 4...20mA output