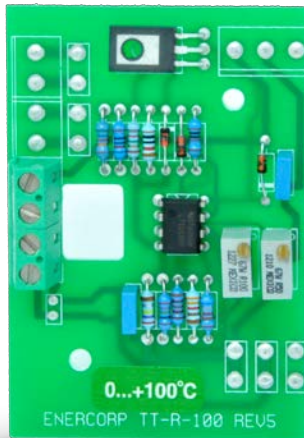


Temperature Transmitter: TT-R-100 Series



The TT-R-100 is used to convert a 2 wire Pt100 RTD temperature sensor to a 4...20mA signal. The output is proportional over a selected span and a diode protects against reverse polarity.

- ◆ Wide operating range
- ◆ Cost effective
- ◆ Multiple installation options

Technical Data

Stock ranges: -50...50°C, 0...50°C, 0...100°C

Sensor type: Pt100 RTD

Output signal: 4...20mA

Accuracy: 1%

Linearity: +/- 0.1% of span

Power supply: 24 VDC (15...30 VDC)

Supply voltage error: 0.1% max of full-scale per volt deviation from 24 VDC

Temperature drift: 0.12% of span/°C

Maximum load: (Vsupply-14)/20mA

Environmental: -20...70°C, 0...95% RH, non-condensing

Enclosure:

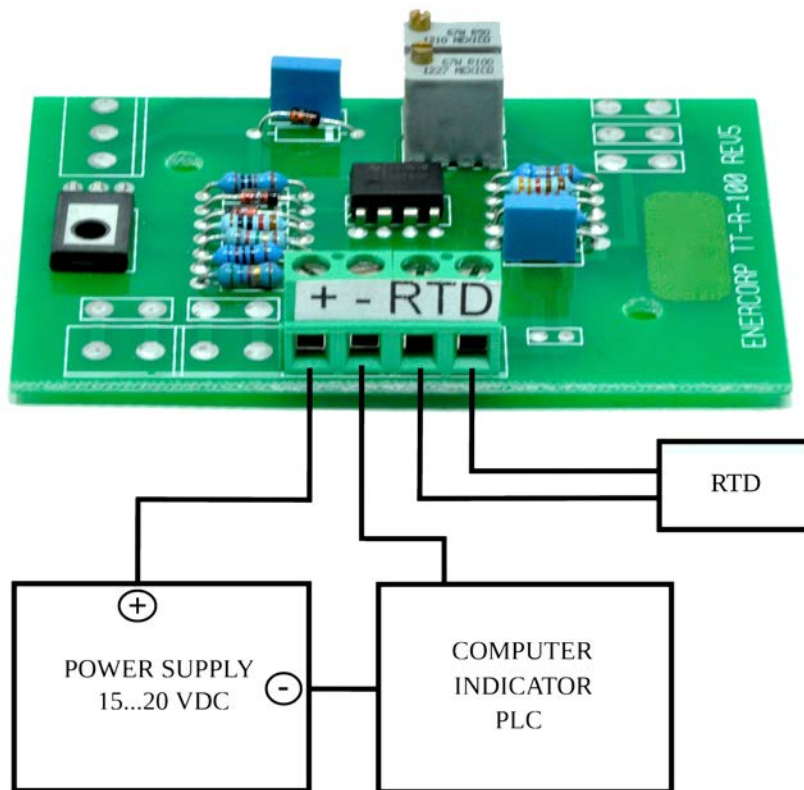
- Snap track: snap track channel with two mounting holes
- Blue box: molded case with hinged cover and captive screw, not weatherproof
- DIN rail: plastic, polyamide

Industry Usage

HVAC, Building automation, Energy management, Waste management, Food processing, Pharmaceutical

ENERCORP instruments ltd

25 Shorncliffe Road, Toronto, ON, M9B3S4, Canada
Tel: 416-231-5335, Toll free: 1-800-363-7267



Ordering Data

TT - (enclosure type) - R - 100/ (temperature range)
 = no enclosure stock ranges: -50...50°C, 0...50°C, 0...100°C
 BB = blue box
 ST = snap track
 DR = DIN rail

ie. TT-R-100/-50C50C: Temperature transmitter with -50...50°C temperature range

ie. TT-DR-R-100/0C100C: Temperature transmitter mounted in DIN rail with 0...100°C temperature range