

Socket Type 222



These high quality sockets feature very low resistance and great durability. They are designed for use in test facilities, laboratory facilities and in bushings for transformers and chokes.

- ◆ Rugged construction
- ◆ Cost effective
- ◆ Low resistance

Technical Data

Design current: 32 Amp

Material:

- metal parts: brass, tin-plated
- insulated parts: polyamide

Temperature stability: 80°C

Working voltage: 1600 V

Insulation co-ordination: 6 kV / 1

Design impact potential: 6 kV

Testing voltage: 3200 V

Conducting wall thickness: 10mm

Creep distance (SK max.): 18.8mm

Insulation resistance: > 10⁹ ohm

Pass-through resistance: 0.8 megaohm

Starting torque: 1.2Nm

Industry Usage

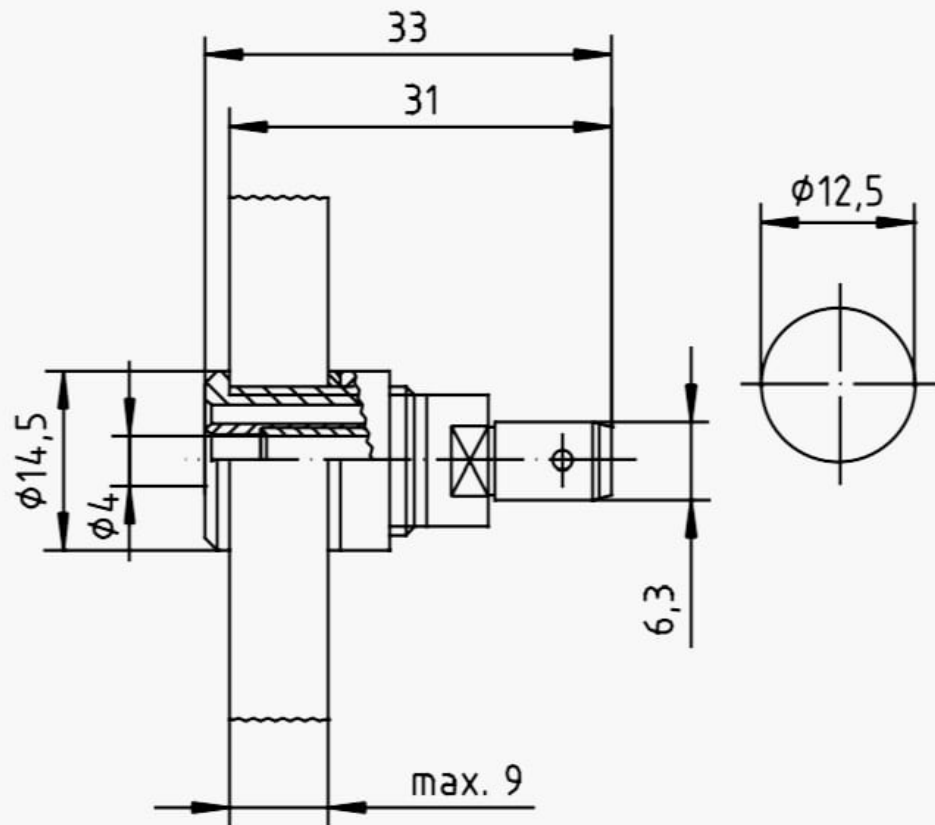
Radio, Sound, Electronic test equipment, Laboratory facilities

ENERCORN instruments ltd

25 Shorncliffe Road, Toronto, ON, M9B3S4, Canada
Tel: 416-231-5335, Toll free: 1-800-363-7267

All measurements in mm

Type 222



32 A

Ordering Data

8772220100: black

8772220200: red

8772220300: blue

8772220900: yellow-green

ENERCORP instruments ltd

25 Shorncliffe Road, Toronto, ON, M9B3S4, Canada
Tel: 416-231-5335, Toll free: 1-800-363-7267